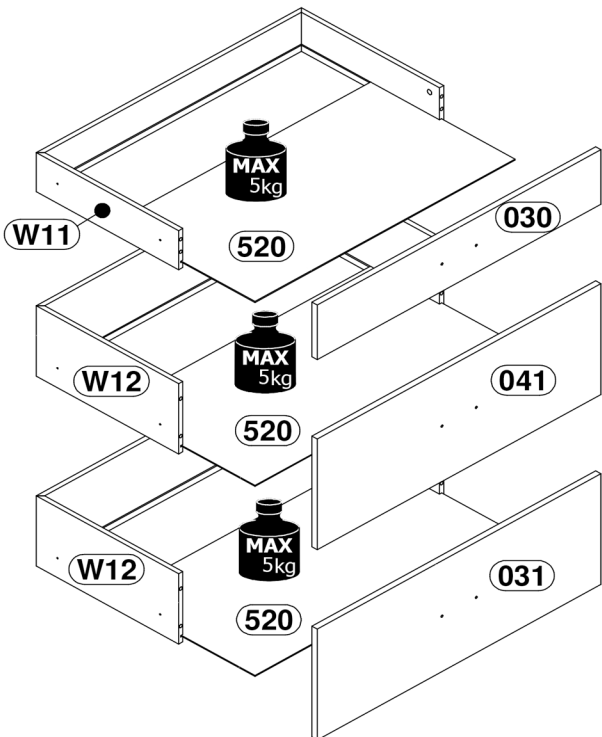
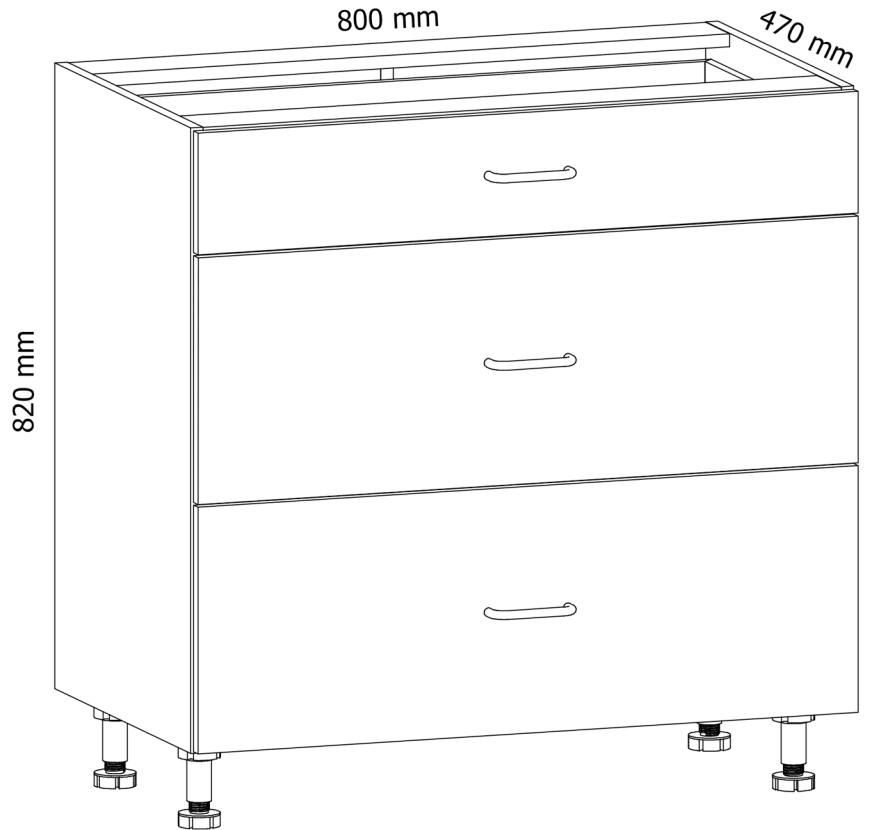
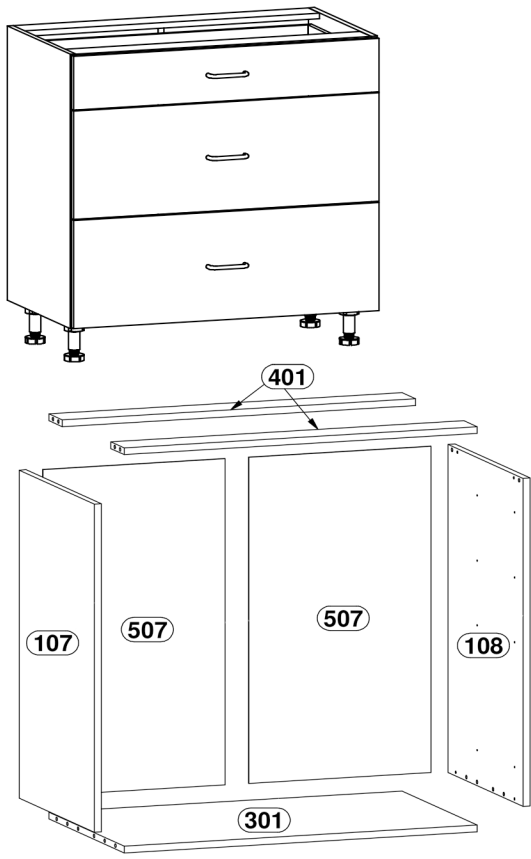
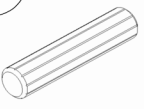



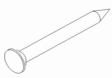
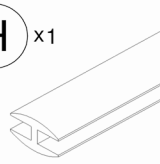
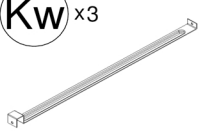
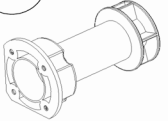

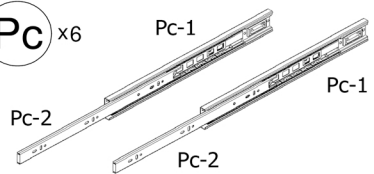



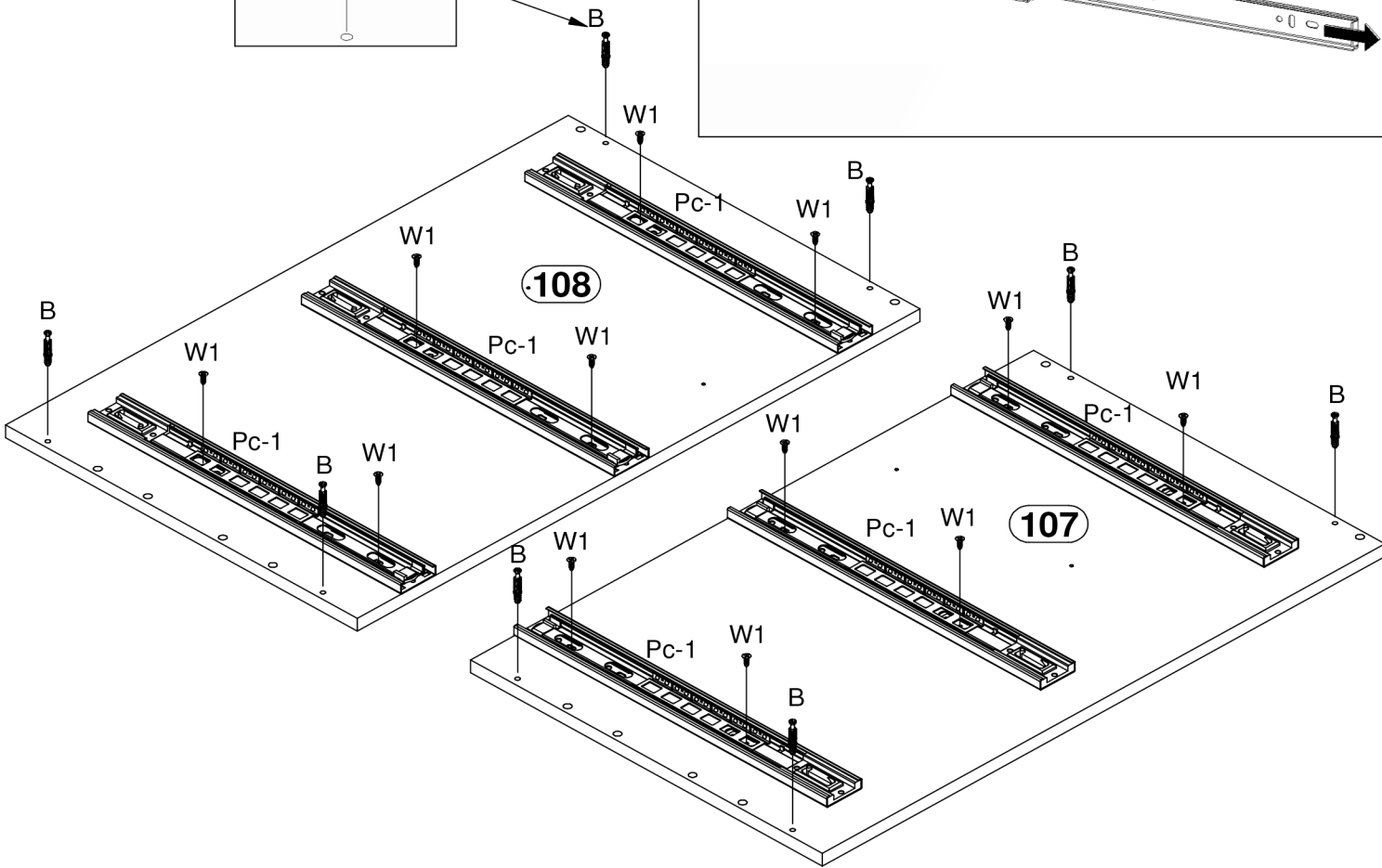
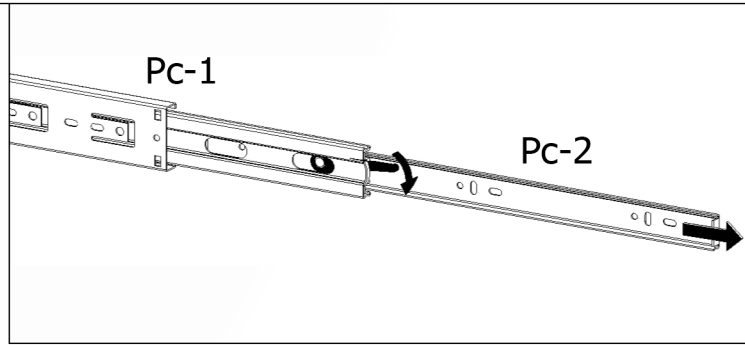
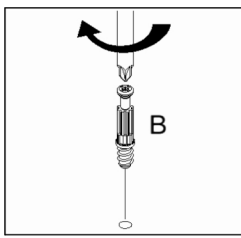


D80S3

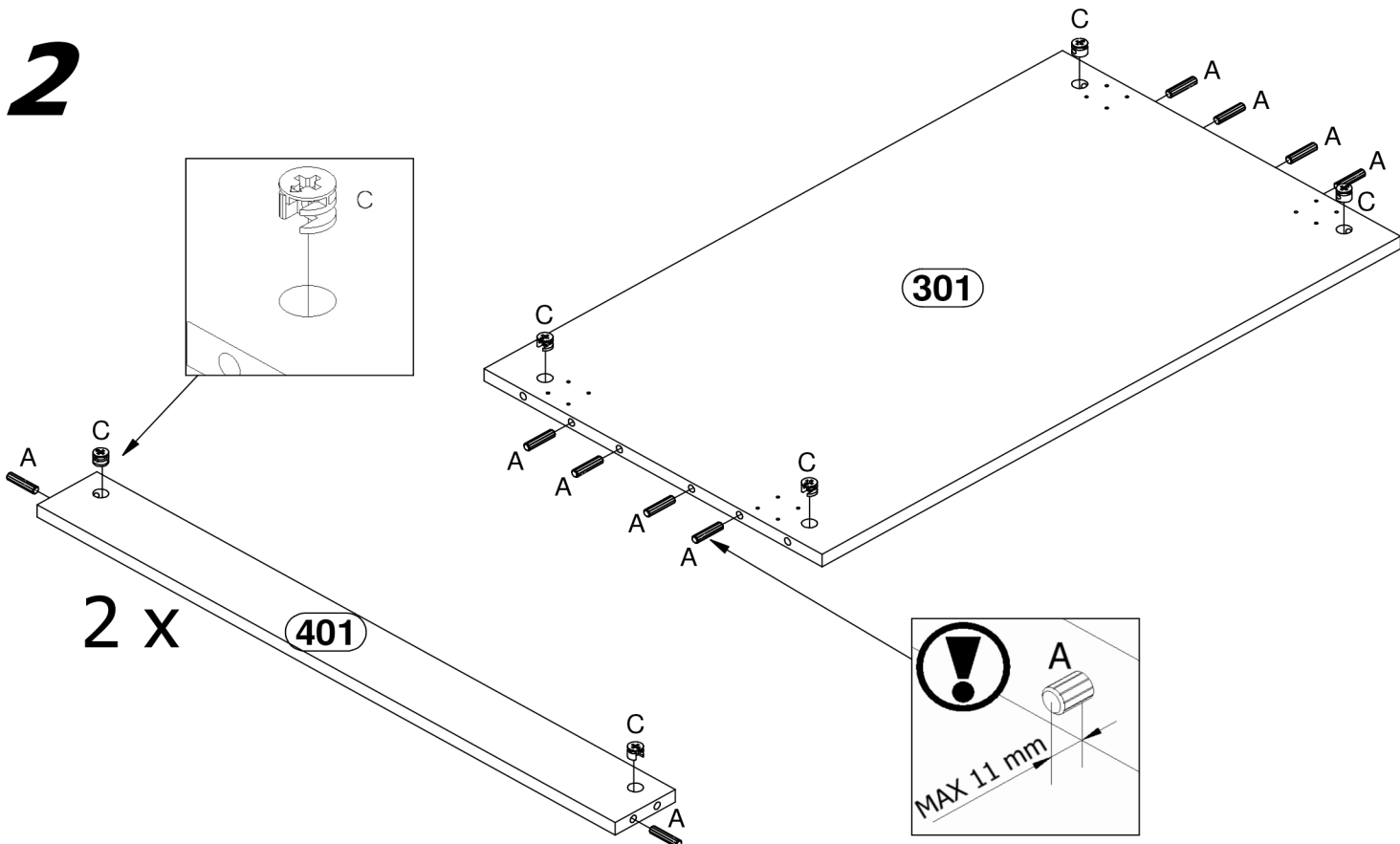
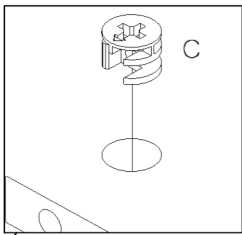


A x18  Ø8x35mm	B x14 	C x8  Ø15x12mm	C1 x6  Ø12x10mm
G x35 	H x1  715 mm	Kw x3  400 mm	L1 x4 
M x3 	Pc x6  Pc-1 Pc-2	W1 x30  Ø3,5x13mm	
W2 x16  Ø3,5x16mm	Y x14  Ø18 mm		

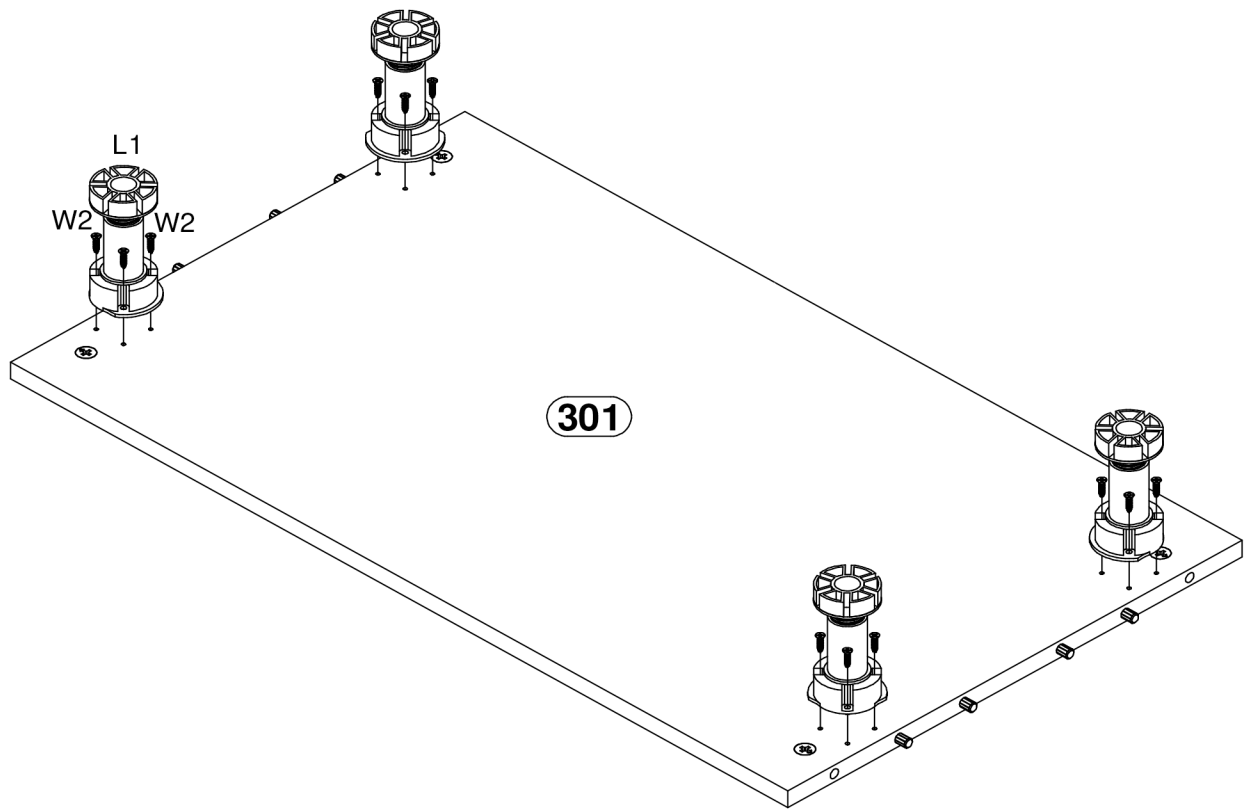
1



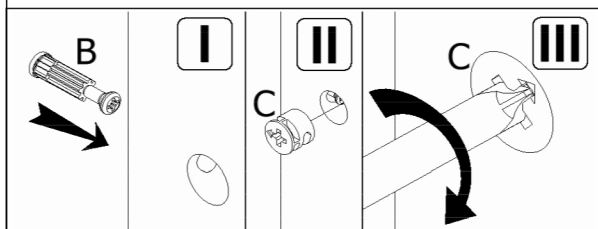
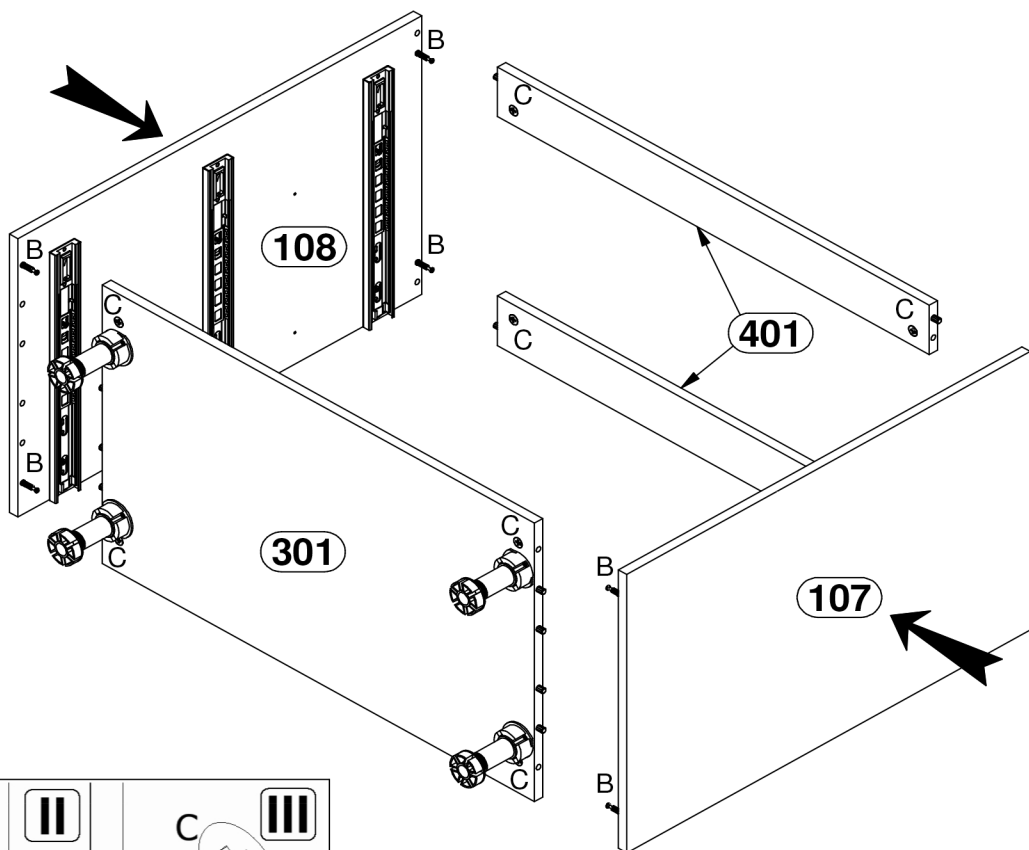
2



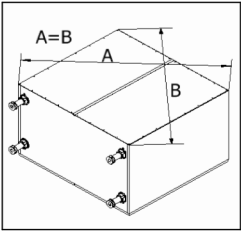
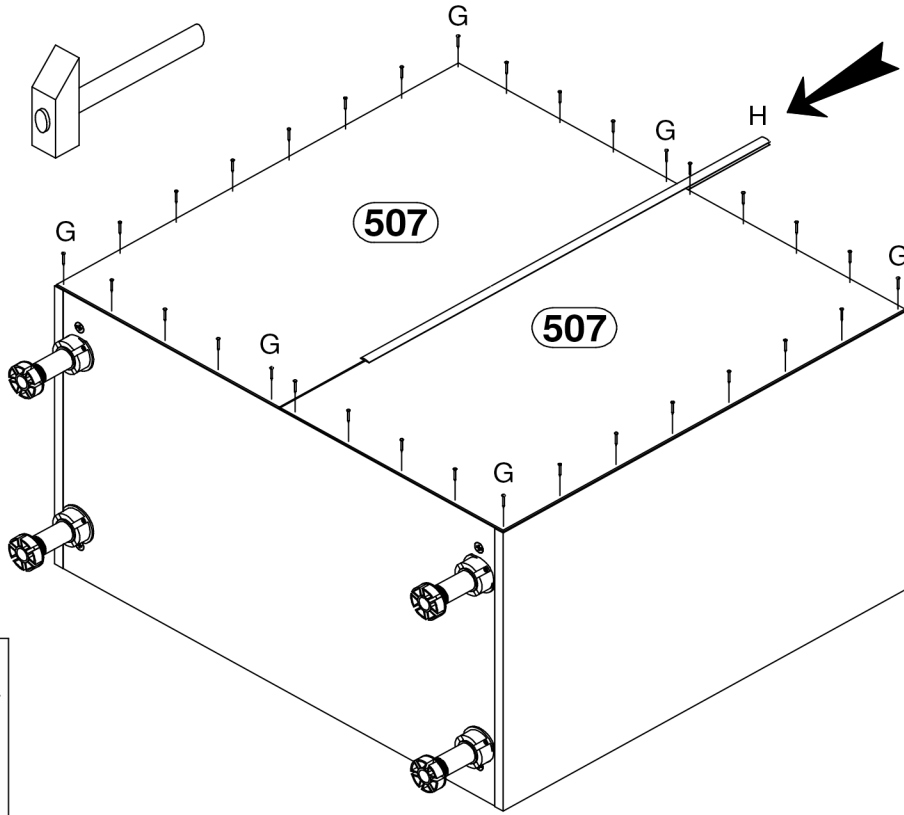
3



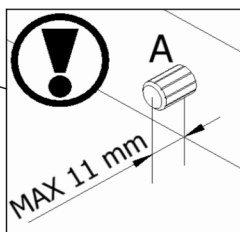
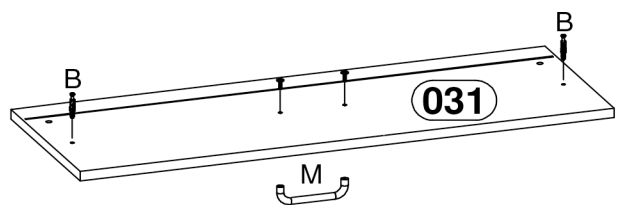
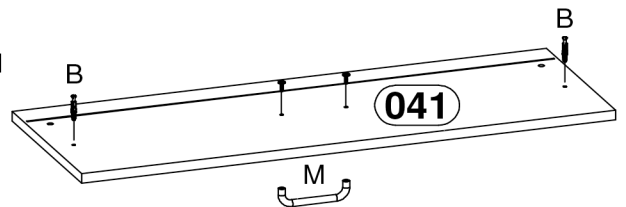
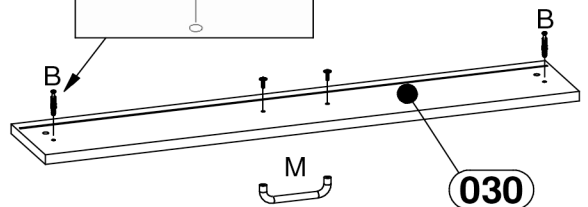
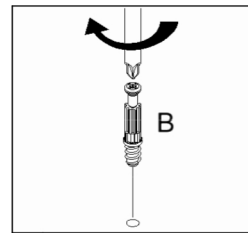
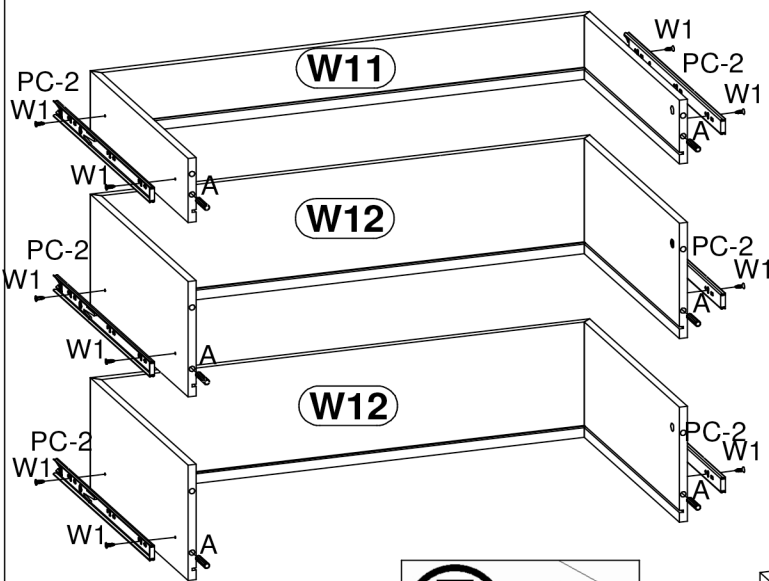
4



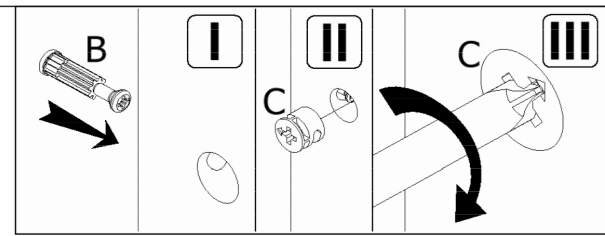
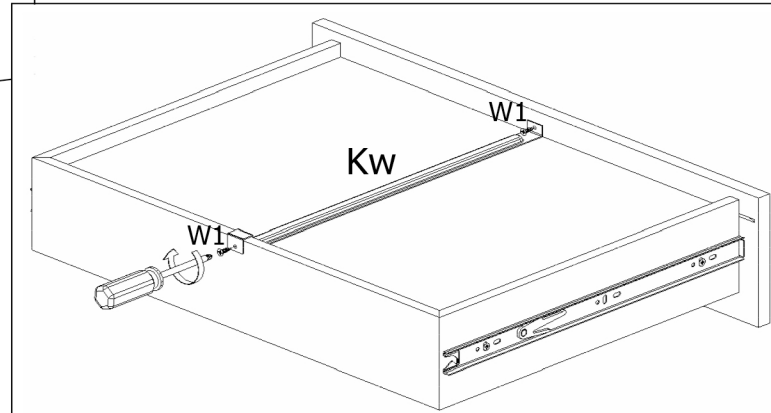
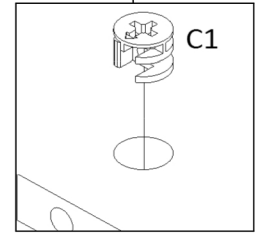
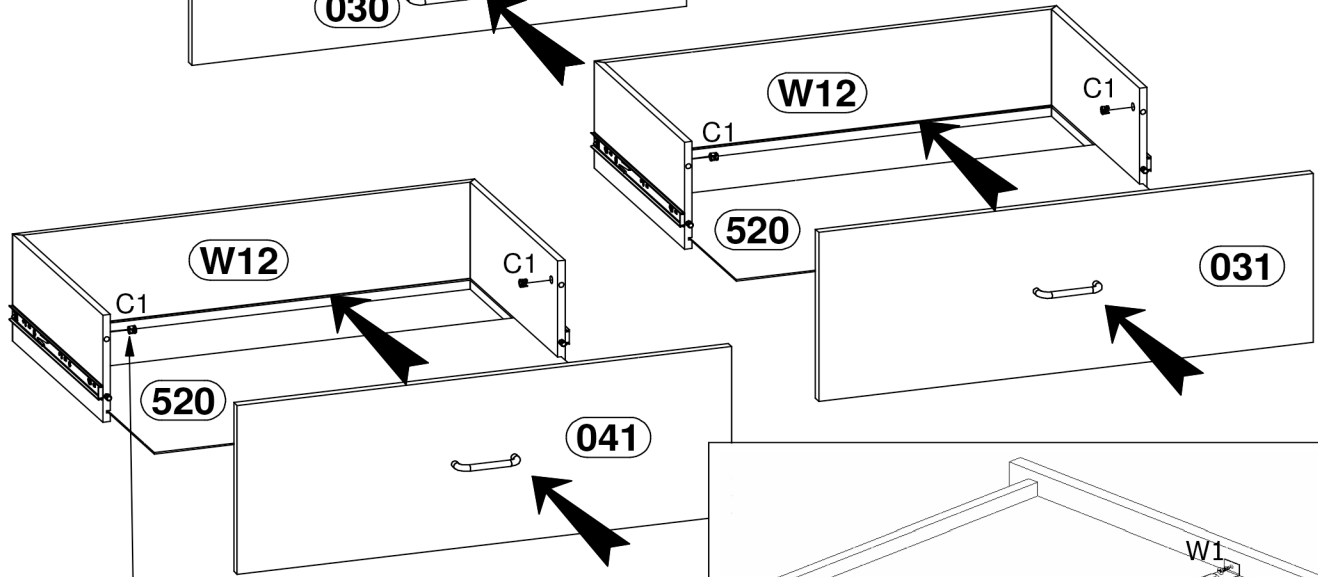
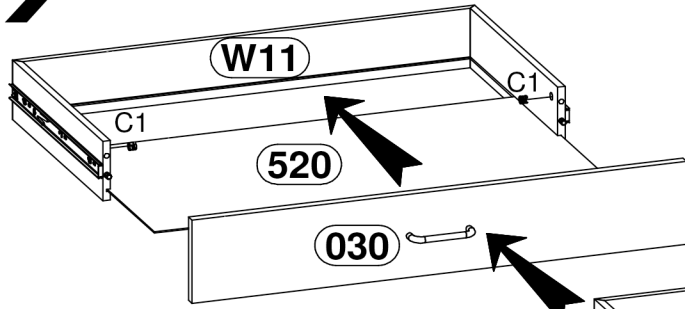
5



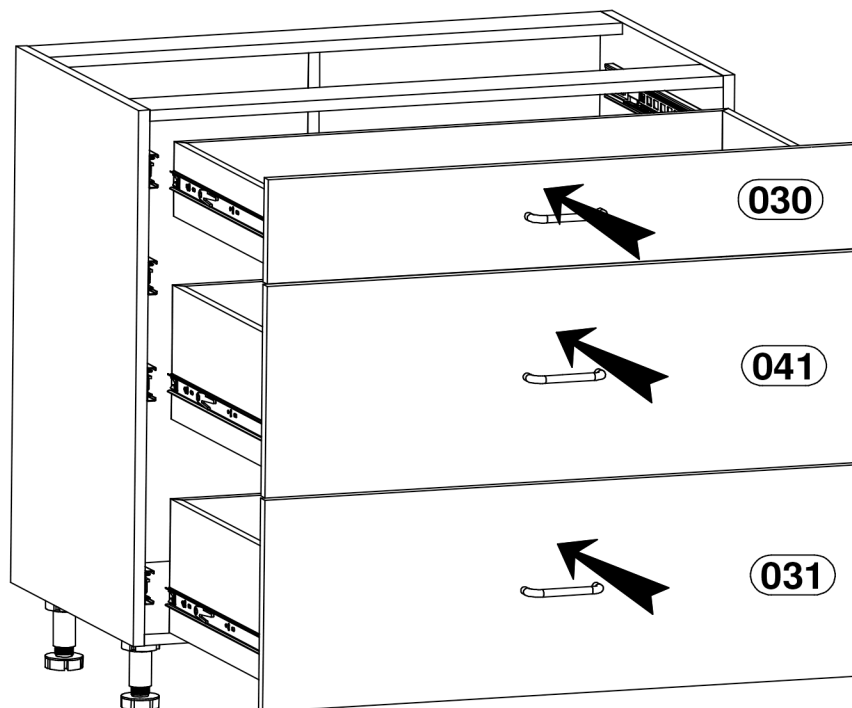
6

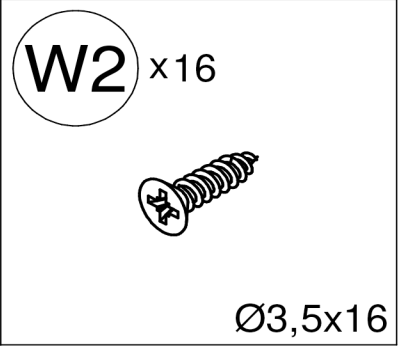
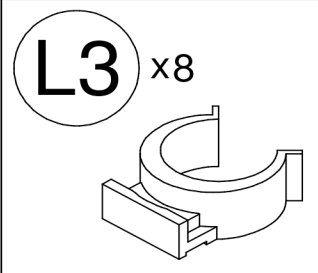
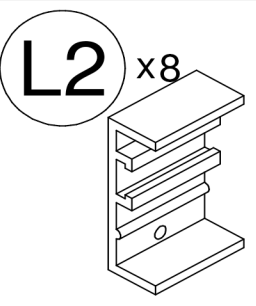
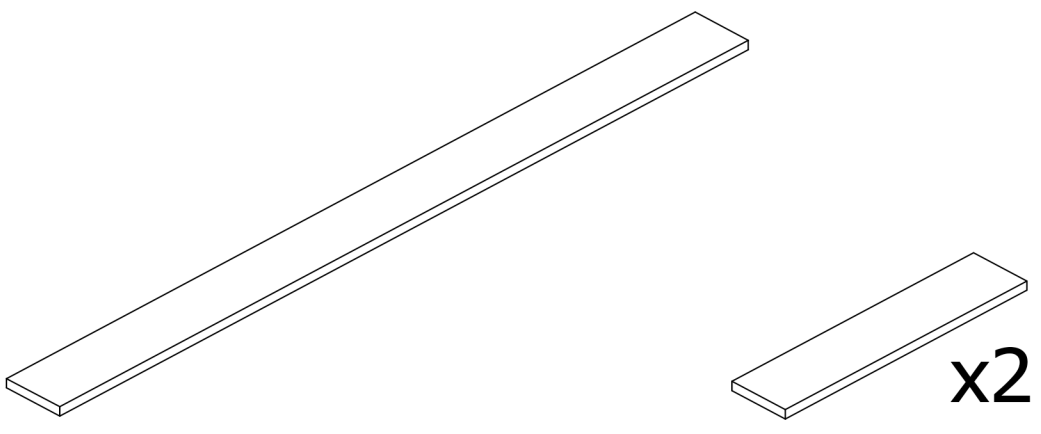
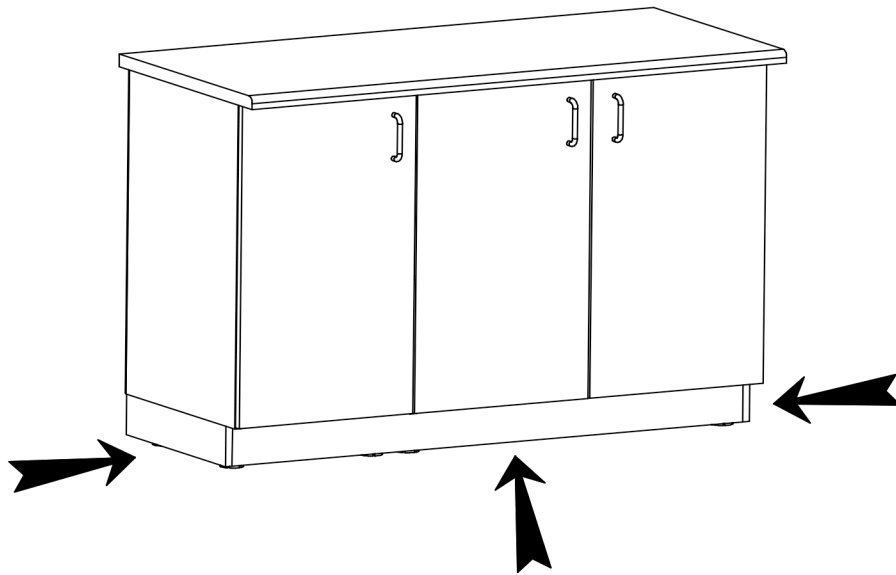


7

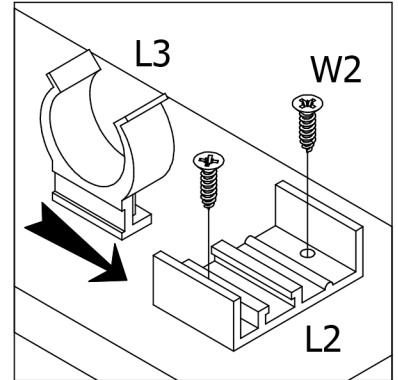
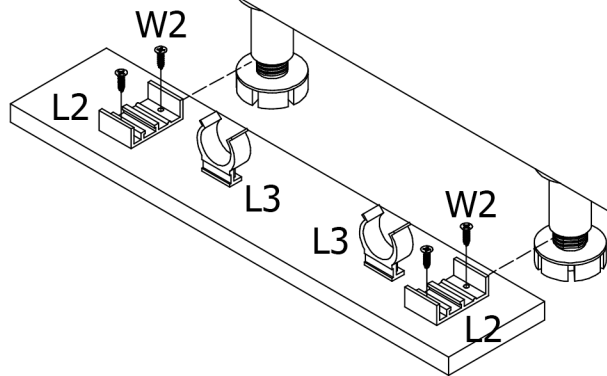


8





9



10

